



VALVES

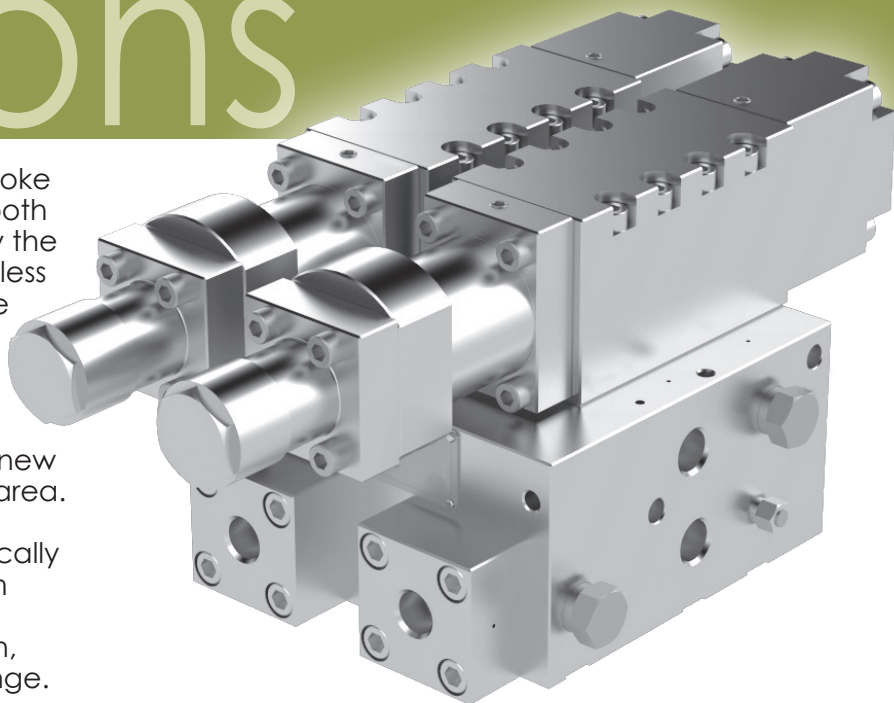
Manifold Solutions

BiS currently design and manufacture bespoke manifold solutions for many customers for both topside and subsea environments. Typically the manifolds are manufactured from 316 stainless steel material ensuring suitability for onshore and offshore environments.

The manifolds are designed and manufactured at our facility in the south of England and we have recently invested in new machinery to increase our capacity in this area.

When designing a manifold, we would typically start from a customers circuit diagram, from which the engineering team at BiS would package the circuit into a manifold solution, using valves from our extensive product range.

Manifolds offer several advantages over conventional piped solutions and prove cost effective to both system builders and users.



Contacts

BiS VALVES LTD

Unit 17 - 23, Kingfisher Park, West Moors, Wimborne, Dorset, BH21 6US, UK

Tel No: +44 (0)1202 896322

Email: salesadmin@bisvalves.co.uk

Fax No: +44 (0)1202 896718

Web: www.bisvalves.co.uk

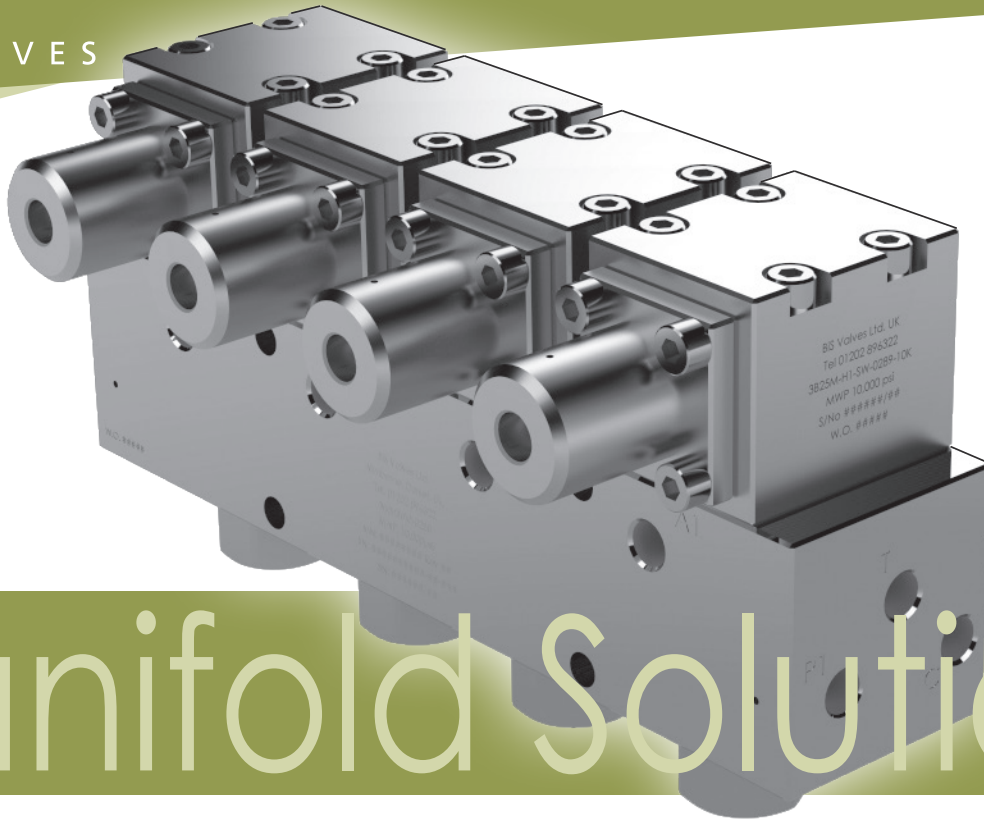
Global Distributors

See www.bisvalves.co.uk for contact details



VALVES

www.bisvalves.co.uk



Manifold Solutions

Cost Effective System Build and Service

- ✓ **Compact**
Multiple valves can be fitted in to a smaller space envelope, with porting positioned to suit the system layout.
- ✓ **Reduced leakage points**
Manifold solutions reduce leakage points by reducing the number of fittings and hoses/tubes required to build the system.
- ✓ **Reduced installation time**
Manifolds can usually be installed more quickly, as less tube/hoses have to be produced and fewer connections are required.
- ✓ **Improved serviceability**
Valves can be removed from the manifold and new valves fitted without disturbing any piped/hosed connections. This also has the advantage that pipework leaks introduced by servicing are eliminated.

